



Outdoor Living CONNECTION

PRESERVE PRIVACY VERTICAL PANEL
INSTALLATION GUIDE



**WATCH OUR
DETAILED HOW-
TO INSTRUCTION
VIDEOS**

PRESERVE PRIVACY VERTICAL PANEL INSTALLATION GUIDE

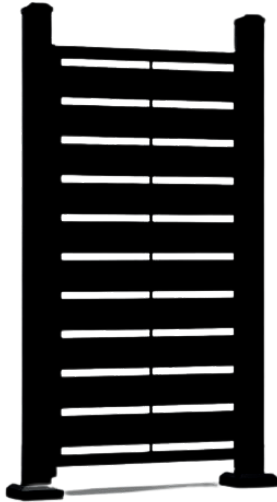
Assemble in a Weekend - Admire For a Lifetime.

At Outdoor Living Connection, our aluminum privacy panel systems are engineered for strength, durability, and long-lasting performance. Our precision manufacturing process delivers structural integrity you can count on—without the hassle of ongoing maintenance.

This installation guide is designed to make your setup simple and straightforward. If you have any questions along the way, our customer support team is here to help.

Give us a call at 224-238-2400 or email us at help@outdoorlivingconnection.com.

Thank you for choosing Outdoor Living Connection—where simple meets sleek.



Prior to installing your Privacy Panel, you will need to read and watch all available instructions.

The installation of our Privacy Panels may require the assistance of two people.

Our Privacy Panels, Hardware and Bracket Kits, and Privacy Panel Posts are all sold separately.

PRESERVE PRIVACY VERTICAL PANEL TIPS:

- 1. Confirm Intended Use and Local Requirements** -Decorative privacy panels are non-structural and not designed to serve as guardrails, fall protection, or load-bearing barriers. If panels are installed near elevated decks, stairs, or property lines, verify local code requirements for height, wind exposure, and setback restrictions before beginning.
- 2. Establish Your Panel Layout Based on Visual Alignment and Symmetry** - Use string lines or laser levels to ensure panels are straight and evenly spaced. Dry-fit all posts, frames, and infill panels before anchoring to confirm consistent reveals and clean transitions at corners.
- 3. Use the Appropriate Fasteners** - Do not substitute any of the hardware included in your kit. This could compromise the structural integrity of your installed product and void your warranty. You will need to purchase the appropriate fasteners to secure the posts to your mounting surface. Selecting the correct fastener for your surface is essential for structural integrity.
- 4. Use the Proper Tools** - Before you begin, review our list of recommended tools for your installation. Using the right tools helps to ensure a sleek and sturdy final project.

⚠ Important Installer Responsibilities – Outdoor Living Connection

It is the sole responsibility of the installer to ensure that all Preserve Privacy Panel installations comply with applicable local building codes, zoning ordinances, wind-load requirements, setback regulations, and safety standards. The installer is responsible for obtaining any required permits prior to installation.

Outdoor Living Connection's Preserve Privacy Panel Collection is a decorative, non-structural system intended to provide visual screening and architectural enhancement. It is not designed to serve as a guardrail, fall protection system, or load-bearing barrier unless specifically engineered and approved for such use.

Outdoor Living Connection is not liable for improper, unsafe, or non-compliant installations resulting from failure to follow applicable code requirements, manufacturer instructions, or site-specific structural considerations.

Warranty coverage is contingent upon proper installation. Failure to install this product in accordance with Outdoor Living Connection's published installation guidelines and all applicable building codes will void all warranty protections.

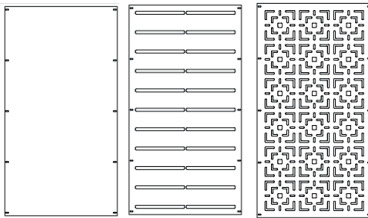
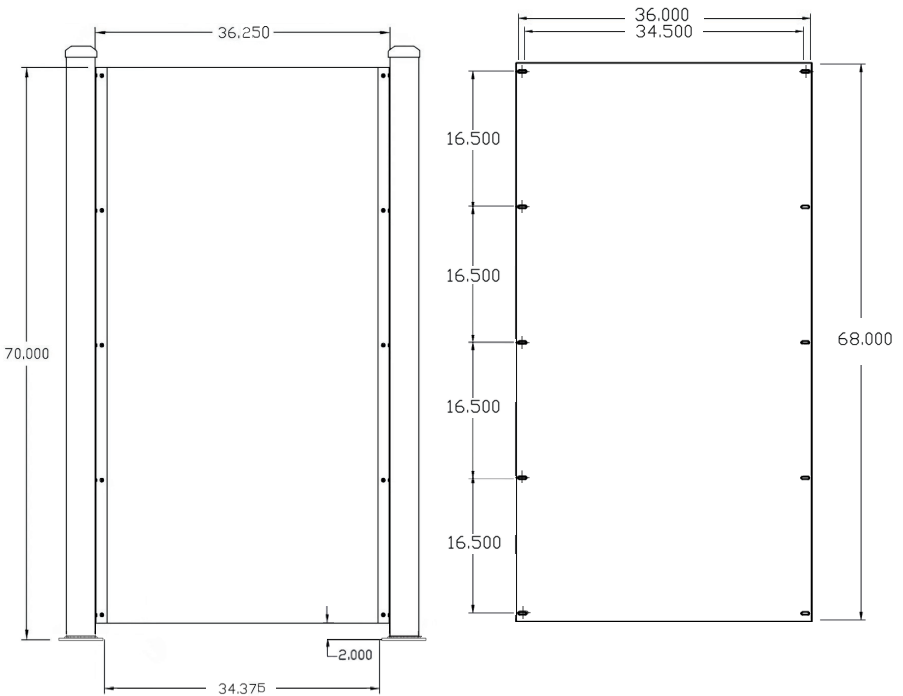
These installation guidelines are intended to provide a general framework and may not address every job site variable, including soil conditions, substrate integrity, wind exposure, drainage, or slope. We strongly recommend reviewing the complete instruction manual prior to beginning installation. Adjustments may be necessary based on environmental factors and layout conditions to ensure long-term performance and safety.

The Preserve Privacy Panel Collection is categorized as a decorative screening system and is not IRC guardrail-rated.

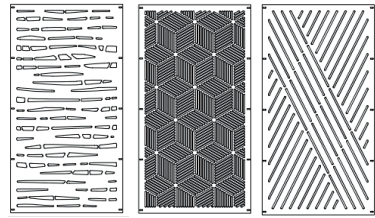
PRESERVE PRIVACY VERTICAL PANEL MEASUREMENTS

PANEL MEASUREMENTS	INSIDE POST TO INSIDE POST SPACING	INSIDE POST BASE TO INSIDE POST BASE SPACING
36.000" X 68.000"	36.250" 36 1/4" - ON TAPE MEASURE	34.375" 34 3/8" - ON TAPE MEASURE

PRIVACY PANEL - VERTICAL ASSEMBLY



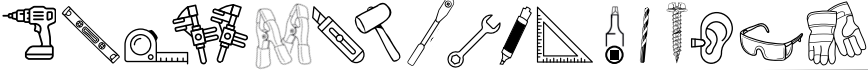
Orientation does not matter.



Install in the correct orientation.

RECOMMENDED TOOLS

TOOLS AND HARDWARE **NOT** INCLUDED IN KIT



- POWER DRILL
- LEVEL
- TAPE MEASURE
- RATCHETING CLAMPS
- SPRING CLAMPS (OPTIONAL)
- UTILITY KNIFE
- RUBBER MALLET
- RATCHET WITH #2 SQUARE BIT
- 7/16" WRENCH
- CHALK MARKER OR PENCIL
- SPEED SQUARE
- #2 SQUARE DRIVER FOR THE FASTENERS THAT ARE INCLUDED IN YOUR KIT
- 9/64" DRILL BIT NEEDED TO PRE-DRILL HOLES TO SECURE POST SKIRT
- APPROPRIATE FASTENERS TO SECURE POSTS TO SURFACE
- PROPER EYE, HEARING, AND HAND PROTECTION

INCLUDED COMPONENTS IN YOUR PRIVACY VERTICAL PANEL POST KIT

ITEM #	DESCRIPTION	QTY
1	WELDED POST	1
2	POST SKIRT	2
3	#8 2" FLAT HEAD SCREW	4
4	COMPOSITE WOOD SHIM	2
5	POST CAP	1

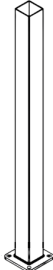
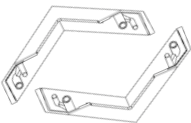

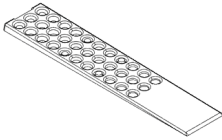
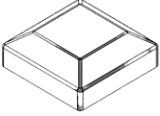
INCLUDED COMPONENTS IN YOUR PRESERVE PRIVACY VERTICAL PANEL KIT

ITEM #	DESCRIPTION	QTY
1	PRIVACY PANEL	1

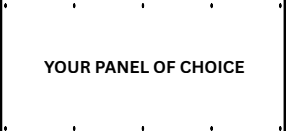
INCLUDED COMPONENTS IN YOUR PRESERVE PRIVACY VERTICAL PANEL HARDWARE KIT

ITEM #	DESCRIPTION	QTY
1	PRIVACY VERTICAL PANEL L-BRACKET	4
2	#8 3/4" PAN HEAD SCREW	30
3	1/4-20 3/4" PAN HEAD BOLT	10
4	FLAT WASHER	10
5	SPLIT WASHER	10
6	1/4-20 CAP NUT	10

VISUAL PARTS LIST - PRIVACY VERTICAL PANEL POST KIT

<p>WELDED POST</p>		
<p>1</p> 	<p>QTY</p>	<p>1</p>
<p>POST SKIRT</p>		
<p>2</p> 	<p>QTY</p>	<p>2</p>
<p>#8 2" FLAT HEAD SCREW</p>		
<p>3</p> 	<p>QTY</p>	<p>4</p>
<p>COMPOSITE WOOD SHIM</p>		
<p>4</p> 	<p>QTY</p>	<p>2</p>
<p>POST CAP</p>		
<p>5</p> 	<p>QTY</p>	<p>1</p>

VISUAL PARTS LIST - PRESERVE PRIVACY VERTICAL PANEL KIT

<p>PRIVACY PANEL</p>		
<p>1</p> 	<p>QTY</p>	<p>1</p>
<p>YOUR PANEL OF CHOICE</p>		

VISUAL PARTS LIST - PRIVACY VERTICAL PANEL HARDWARE KIT

PRIVACY VERTICAL PANEL L-BRACKET

1	QTY	4
---	-----	---

#8 3/4" PAN HEAD BOLT

2	QTY	30
---	-----	----

1/4-20 3/4" PAN HEAD BOLT

3	QTY	10
---	-----	----

FLAT WASHER

4	QTY	10
---	-----	----

SPLIT WASHER

5	QTY	10
---	-----	----

1/4-20 CAP NUT

6	QTY	10
---	-----	----

BEFORE YOU BEGIN

Make sure you have proper safety equipment, your instructions, and have checked all applicable building codes and permit requirements prior to starting your build.

NEED HELP? | JUST CALL A



Our **Designated Assembly Directors**, or as we like to call them, **D.A.D.s**, are here to help with your Outdoor Living Connection Project!

Give our **D.A.D. Helpline** a call and finish your project the right way the first time (as our D.A.D.s always say).



1 (815) 384-4DAD



LINK TO TOOLS YOU MAY NEED:

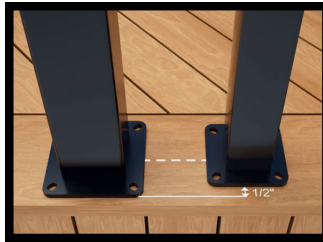
Outdoor Living Connection, LLC. is not affiliated with Home Depot and does not endorse or solely recommend any of their products for monetary compensation. This is only meant to be helpful in the event that an installer does not have the tools required to install their project.



PRESERVE PRIVACY VERTICAL PANEL INSTALLATION

STEP 1

When installing our privacy panels, it is important to note that the post size is different than standard railing posts. Privacy panel posts are 3-1/2" wide while posts used for the rest of the railing system are 2-1/2" wide. Most of the time, post locations are set based on the distance from the edge of the deck. To make sure the privacy screen lines up properly with the railings, the posts need to be centered with one another, which means they will not be the same distance from the deck edge.

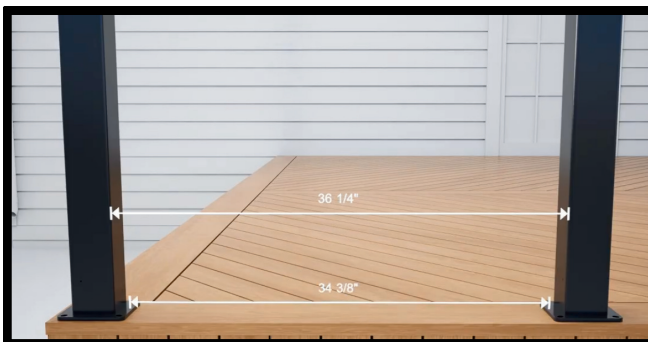


HELPFUL TIP

Since the privacy panel posts are 1" wider, they should be positioned 1/2" closer to the edge of the deck to keep everything centered.

STEP 2

When determining locations, it is important to remember that privacy screens cannot be cut. They must be installed as full panels, so the posts must be spaced at the exact distance required to allow the panels to fit properly. That spacing will be 36-1/4" measured inside of the post to the inside of the next post. Another way to measure is from the base of one post to the base of the next, which will be 34-3/8".



PRESERVE PRIVACY VERTICAL PANEL INSTALLATION

STEP 3

If you are installing a post beside a house, we recommend starting with a distance of 3" from the house. This distance cannot exceed 4" in order to meet most building codes.

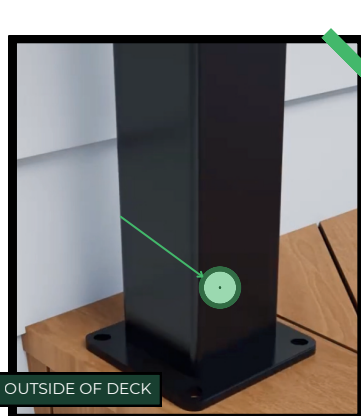


HELPFUL TIP

Always be sure to check with your local building codes.

STEP 4

Each post has two pre-drilled holes near the bottom by the base plate to help align the privacy screen brackets. **The posts only have these holes on two sides, so orientation is important.** Position the posts so the two pre-drilled holes are closer to the outside of the deck.



PRESERVE PRIVACY VERTICAL PANEL INSTALLATION

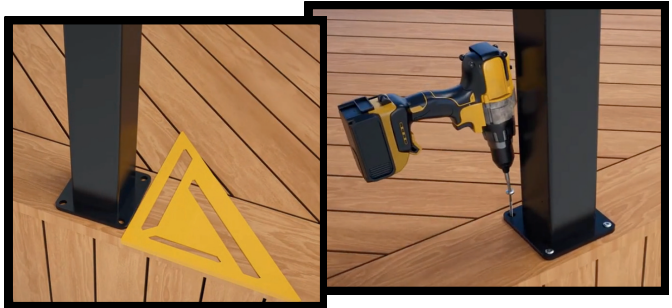
STEP 5

When installing the posts, make sure it is square to the deck. Posts are secured using 4 lag bolts (not included in your kit) and depending on the structure of your deck, different fasteners may be recommended. All four bolts must be installed into a solid structure. This may require adding additional blocking if the deck is made of wood. For additional details, please see our video on blocking for posts.

HELPFUL TIP

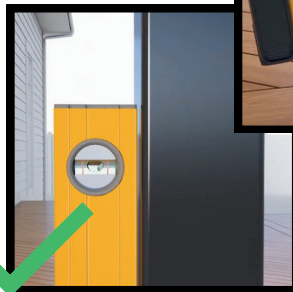
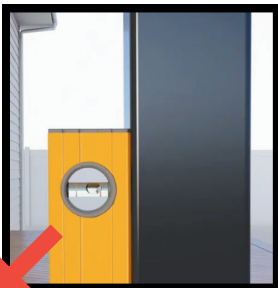
For wood or composite decking, we recommend using four lag bolts that are $\frac{3}{8}$ " x 5", stainless steel, and rated for exterior use. For concrete we recommend using a $\frac{3}{8}$ " x 3" masonry fastener.

*These fasteners might not be suitable for every project, so check with your local building codes and structural requirements.



STEP 6

Once the post is secured to the deck, use a level on two sides to make sure it is standing straight. If adjustments are needed, loosen the bolts and use shims provided in your post kit to level the post. When the post is level, tighten the bolts and break off the shims. Install the remaining post following the same steps as above.



HELPFUL TIP

Most shims can be scored with a utility knife and snapped off, or cut with a multitool if needed.

PRESERVE PRIVACY VERTICAL PANEL INSTALLATION

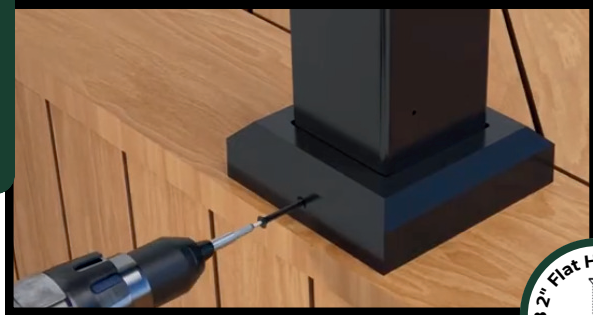
STEP 7

Install the two-piece base skirt by sliding the halves together, making sure the pre-drilled holes remain accessible. Then secure it using the provided #8 2" Flat Head Screw. Install the remaining skirts.



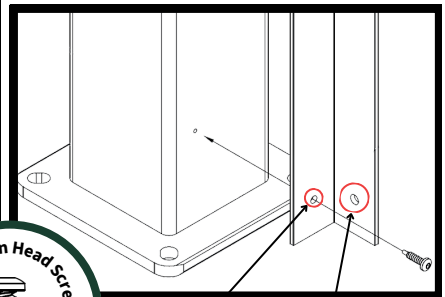
HELPFUL TIP

All our screws are self-tapping screws, but you can pre-drill these holes with a 9/64" drill bit if you prefer.



STEP 8

Your privacy panel brackets have a "post side" and a "panel side." The "post side" of your bracket has smaller holes for your #8 3/4" Pan Head Screws. The "panel side" of your bracket has larger holes for your 1/4-20 3/4" Pan Head Bolt. Place the "post side" of your bracket against your post and line up the bottom hole with the pre-drilled hole on your post. Clamp the bracket into place using ratcheting clamps, then install the supplied #8 3/4" Pan Head Screw into the bottom hole to secure the bracket.



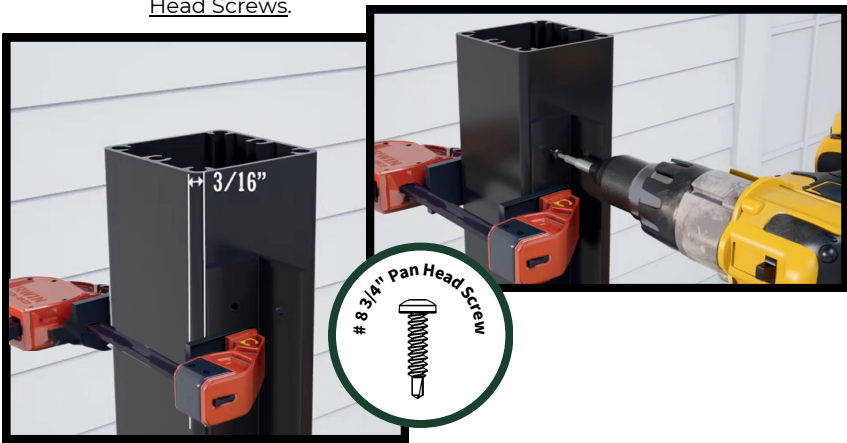
Post Side

Panel Side

PRESERVE PRIVACY VERTICAL PANEL INSTALLATION

STEP 9

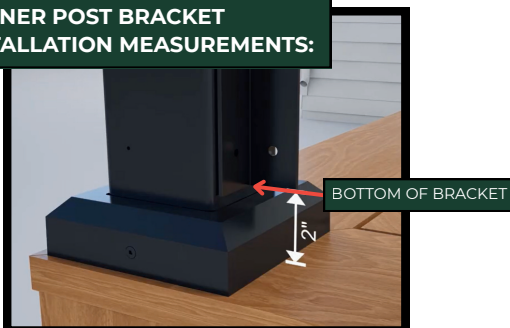
Make sure the bracket stays a consistent distance from the edge of the post, all the way up. That will place the bracket at $3/16"$ from the edge of the post. Now clamp it in place near the top of the post. Install the provided #8 $3/4"$ Pan Head Screw through the bracket and into the post. Once the bottom and top screws are installed, finish securing the bracket by installing the screws in the remaining three holes using the supplied #8 $3/4"$ Pan Head Screws.



STEP 10

Repeat this step on the remaining posts, installing all the brackets to the edge of the deck **ONLY**. These will all have a starter hole at the bottom. If you are installing on a corner, you will not have the starter hole. In this case, you will install the bracket 2 inches from the surface of the deck.

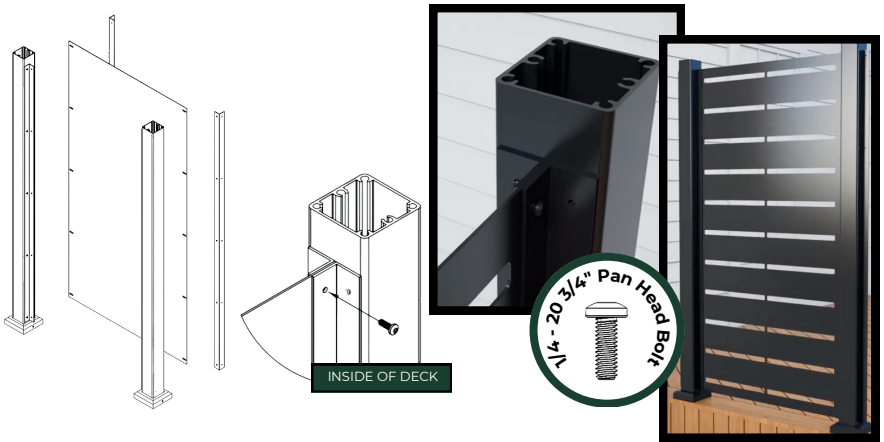
CORNER POST BRACKET INSTALLATION MEASUREMENTS:



PRESERVE PRIVACY VERTICAL PANEL INSTALLATION

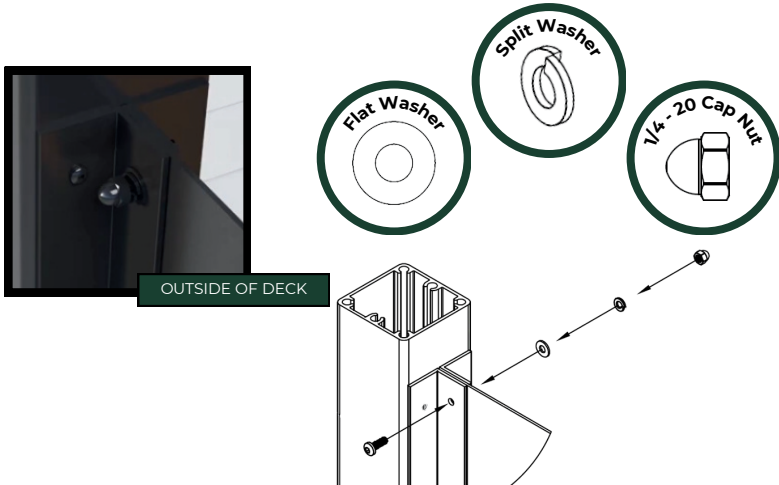
STEP 11

To install the privacy panel, place it against the installed brackets. Take another bracket and place it against the front. Align them all at the top. Insert the 1/4 - 20 3/4" Pan Head Bolt through the top hole of the front bracket, privacy panel and the bracket behind it. The head of the bolt should be facing the inside of the deck.



STEP 12

On the back, add the Flat Washer, the Split Washer, and install the Cap Nut on the back of the bolt and tighten it loosely. This will hold things in place for now. Repeat this process with the bracket on the other side of the panel. Now, all the nuts and bolts can be installed loosely on both sides of the panel.

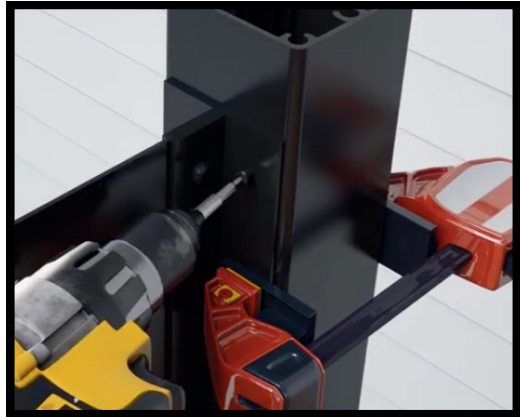
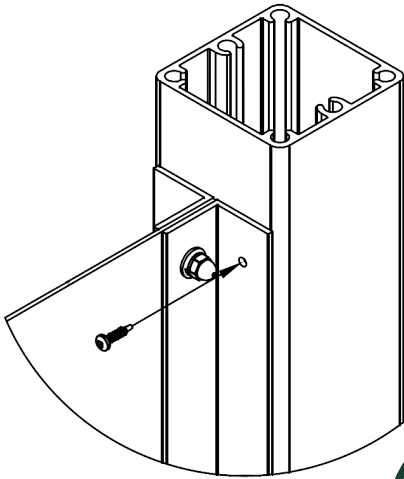


PRESERVE PRIVACY VERTICAL PANEL INSTALLATION

STEP 13

To secure the loose bracket, make sure it is lined up at the top and clamp it tightly to the post using your ratchet clamps. Ensure the bracket is also pressed tight against the privacy panel with no gaps. Secure the bracket by installing the supplied #8 3/4" Pan Head Screw in the top hole.

Once the top is secured, install the bottom screw, ensuring everything is pressed tightly together. Once you have installed your screws in the top and bottom holes of your bracket, install the remaining three screws in the middle. Repeat this process of the bracket on the other side of the panel.



HELPFUL TIP

Optionally, you can use a spring clamp to hold all parts tightly together before clamping the brackets.

PRESERVE PRIVACY VERTICAL PANEL INSTALLATION

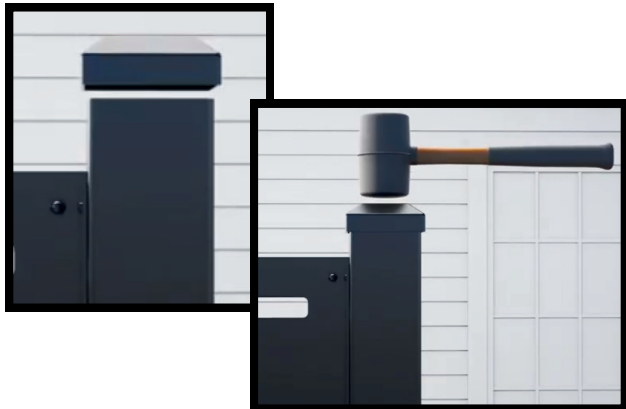
STEP 14

To tighten the nuts and bolts, we recommend using a $7/16$ " wrench to hold the Cap Nut, and a ratchet with a #2 square bit to tighten the $1/4$ -20 $3/4$ " Pan Head Bolts. Repeat this process for all remaining nuts and bolts. Continue to install all the privacy panels following the same steps.



STEP 15

Finish by snapping the top cap onto the post, using a rubber mallet to tap it into place if needed.



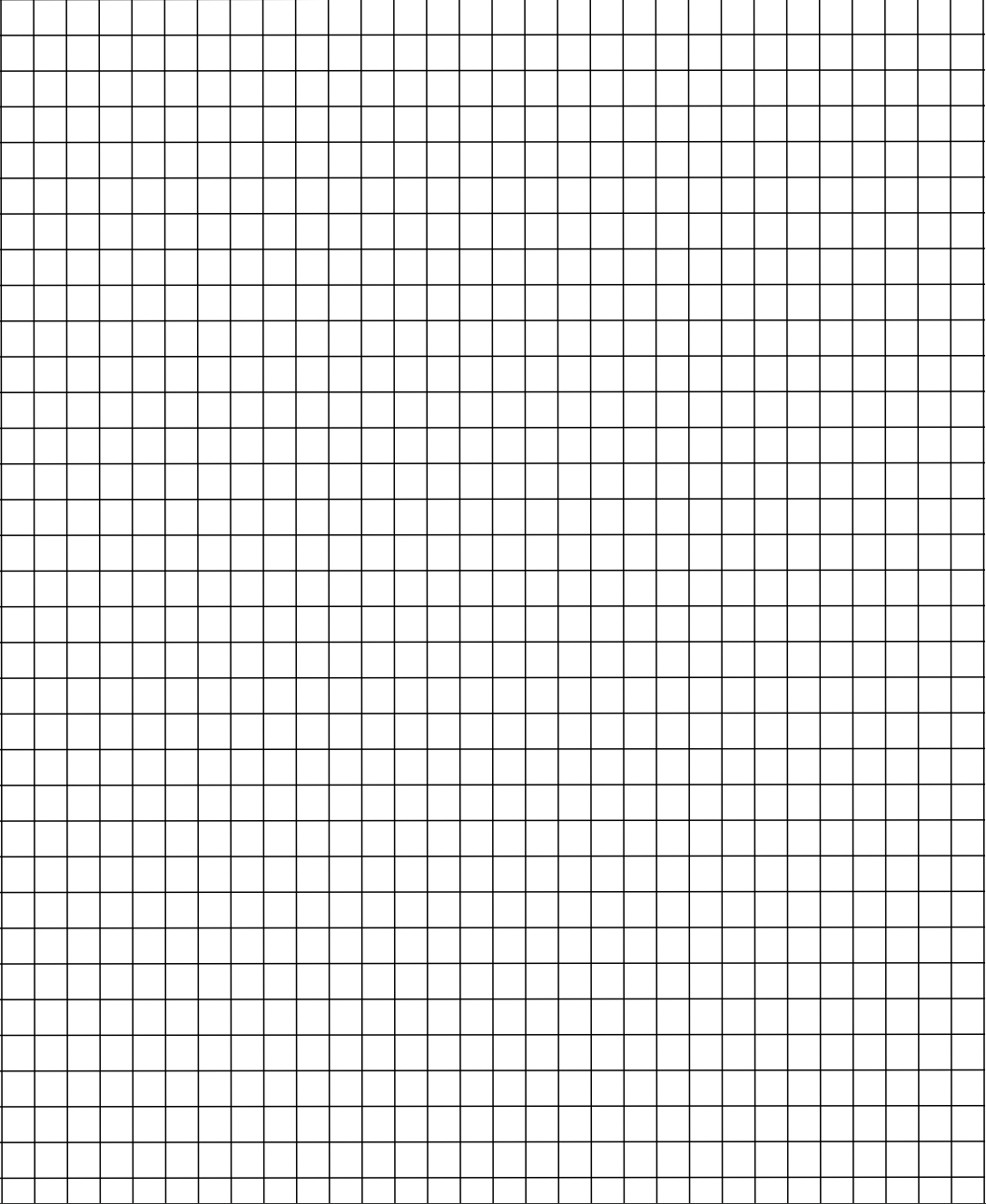
PRESERVE PRIVACY VERTICAL PANEL INSTALLATION

FINAL STEP

Stand back and admire your finished project!

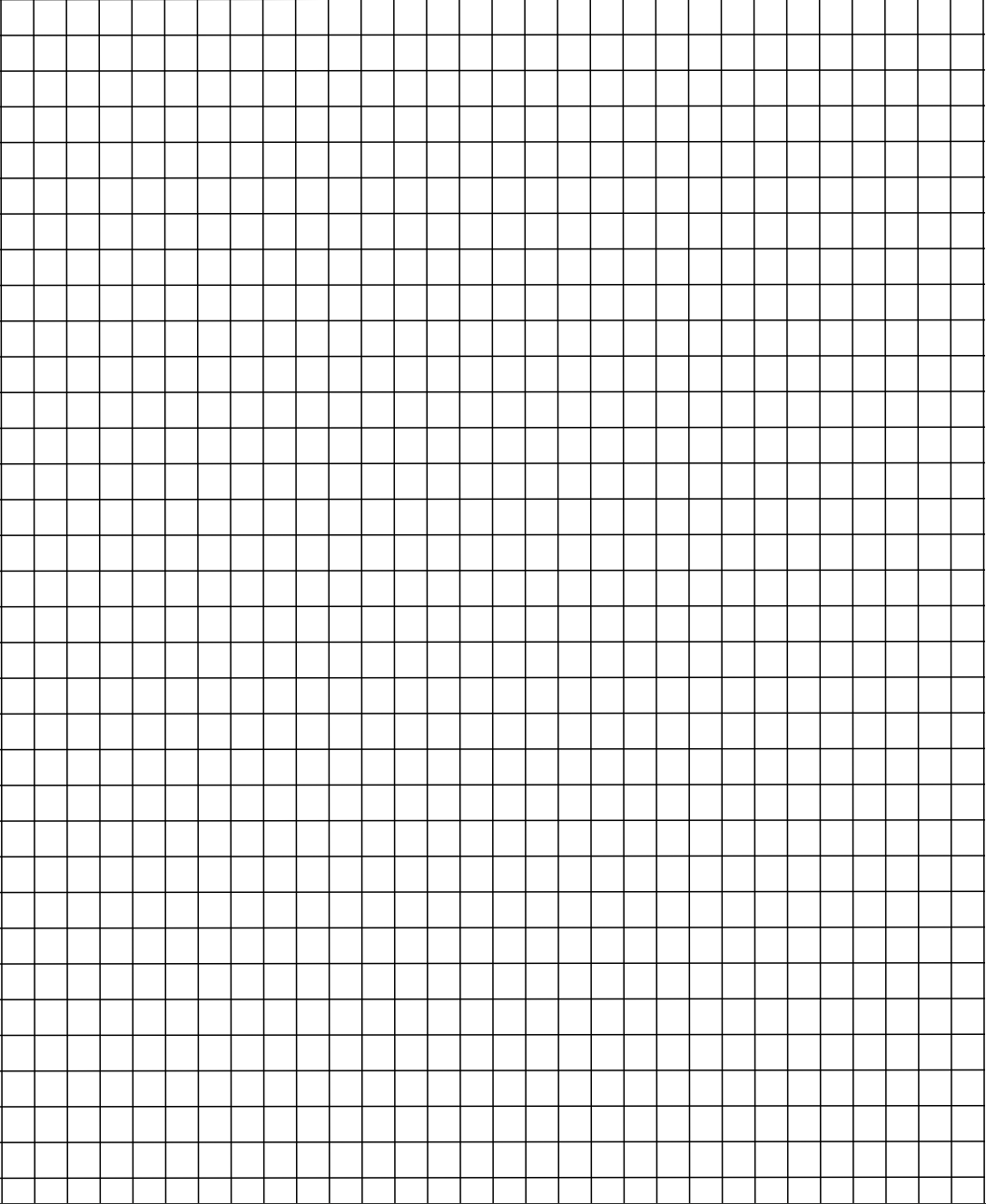


Outdoor Living
CONNECTION



YOUR BACKYARD BLUEPRINT





YOUR BACKYARD BLUEPRINT





Outdoor Living
C O N N E C T I O N



Proudly Made in the USA